

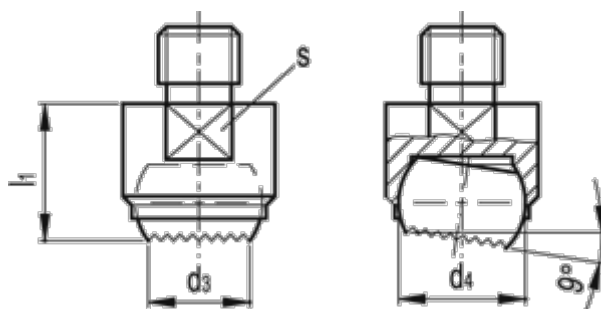
Data Sheet



Article number: 20252413

Description: E+G Clamping pad
GN 709.1-20-M10-R

Measures



d1	= 20
d2	= M10
d3	= 10.5
d4	= 16
l1 +/-0.1	= 18
l2	= 10
Max static load (KN)	= 25
s	= 17

Weight (g) = 40